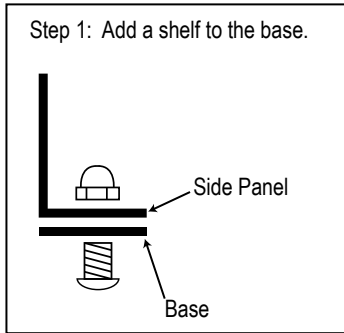


ASSEMBLY INSTRUCTIONS

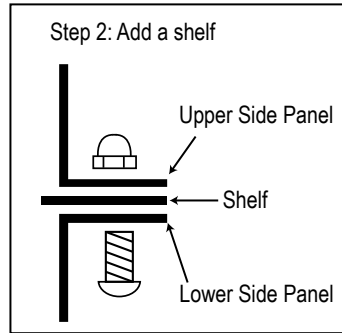
BOOKSHELF SPEAKER STANDS

(Two or Three tier)

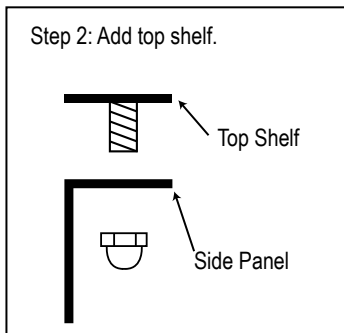
NOTE: Hand tighten all nuts and bolts until unit is complete. Tightening with a wrench as the unit is built may cause complications. Take caution when using metal tools to avoid damage to the painted surfaces of your unit. Before assembling your unit make sure to UNWRAP ALL COMPONENTS and verify you have all required parts for assembly. Check the parts reference below to identify parts.



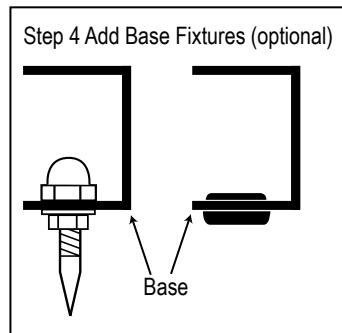
1. To attach a side panel to the base, insert a **SHORT** bolt through the bottom of the base and fasten using a cap nut on the top of the hole.



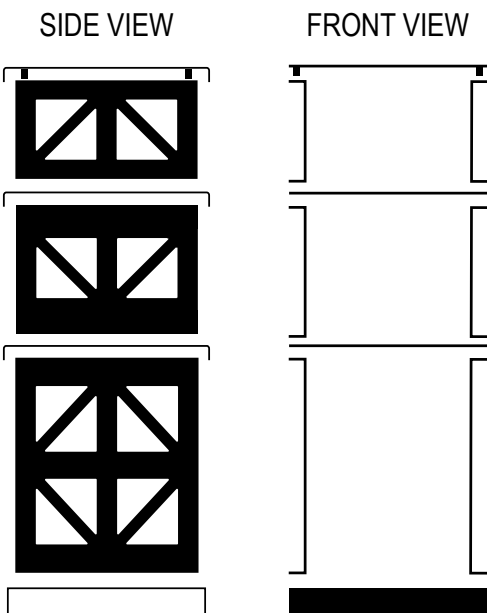
2. Insert a long bolt through the bottom of the hole on the lower shelf side panel, through the shelf hole and into the hole of the upper shelf side panel. Repeat for each additional shelf.



3. The top shelf is pre-fitted with threaded studs. These should fit on to the top side panels and secured with cap nuts below. Note that flange of the top shelf should face front (see side view).



4. Included with your hardware kit are two fixture options for your speaker stand base. Install spikes or rubber caps in the holes provided on the base flange. We recommend that spikes be used on carpeted surfaces only.



PARTS REFERENCE

Note: Parts are not to scale. Quantities may vary depending on product.

	SHORT BOLT		CAP NUT		SPIKE
	LONG BOLT		RUBBER CAP		FLANGE NUT

SIDE PANELS	BASE/SHELF	TOP SHELF

Looking to improve sound quality without damaging your floor surface? Upgrade your speaker stands by adding SuperSpikes. Available now at www.Boltz.com.

If you have any questions, please call us toll-free at 877.804.7650 (M-F 8:30am-5:30pm PT) or email us at customerservice@boltz.com. Visit us online at www.boltz.com.