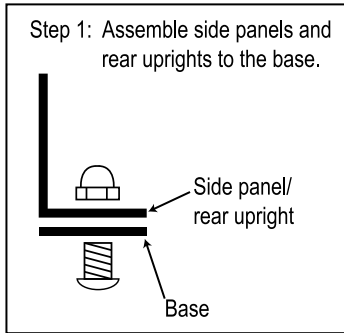
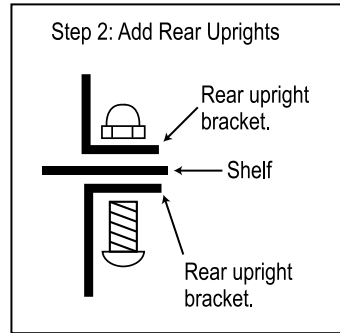


ASSEMBLY INSTRUCTIONS: LP SHELVING

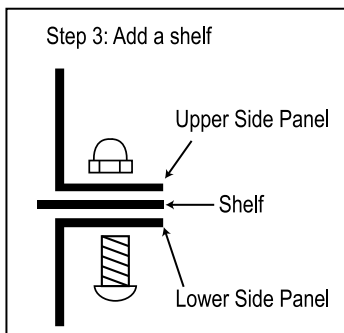
NOTE: Hand tighten all nuts and bolts until unit is complete. Tightening with a wrench as the unit is built may cause complications. Take caution when using metal tools to avoid damage to the painted surfaces of your unit. Before assembling your unit make sure to unwrap all components and verify you have all required parts for assembly. Check the parts reference below to identify parts. Steps involved will depend on how many shelves are being assembled. If your shelf is resting on a delicate floor, we've included rubber bumpers which can be installed in the holes on the bottom of your base. If you have purchased casters, you may wish to install them to the base first.



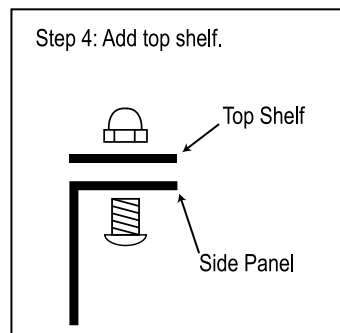
1. To attach a side panel to the base, insert a short bolt through the bottom of the base and fasten using a cap nut on the top of the hole. Side panel flanges should point outward (see "FRONT VIEW" below)



2. Rear uprights help support the center of the shelf and can be used with optional front uprights to allow your LPs to remain upright when the shelf is half full. Line up the holes of the upright with the shelf and fasten with long bolt and cap nut. If installing additional shelves above, attach the next upright bracket to the top of the shelf with the same bolt.

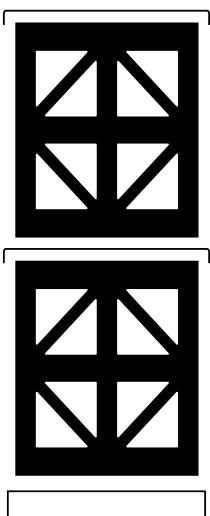


3. Insert a long bolt through the bottom of the hole on the lower shelf side panel, through the shelf hole and into the hole of the upper shelf side panel. Repeat steps 2 and 3 for each additional shelf.

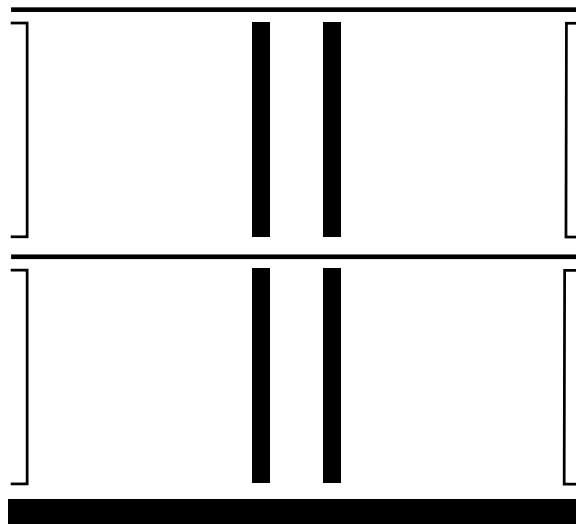


4. The top shelf assembly is similar to the assembly of the individual shelves. Use a short bolt through the holes in the side panel and the top shelf. Fasten with cap nut. Repeat procedure for upright brackets as well.

SIDE VIEW



FRONT VIEW



Move your shelf with ease.
Heavy duty casters now available at www.Boltz.com

PARTS REFERENCE

Note: Parts are not to scale.
Quantities may vary depending on product.



SHORT BOLT



CAP NUT

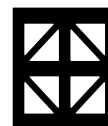


LONG BOLT

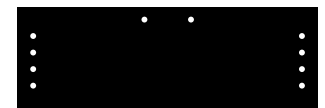


RUBBER CAP

UPRIGHT BRACKET



SIDE PANELS



BASE/SHELF

If you have any questions, please call us toll-free at 877.804.7650 (M-F 8:30am-5:30pm PT) or email us at customerservice@boltz.com. Visit us online at www.boltz.com.